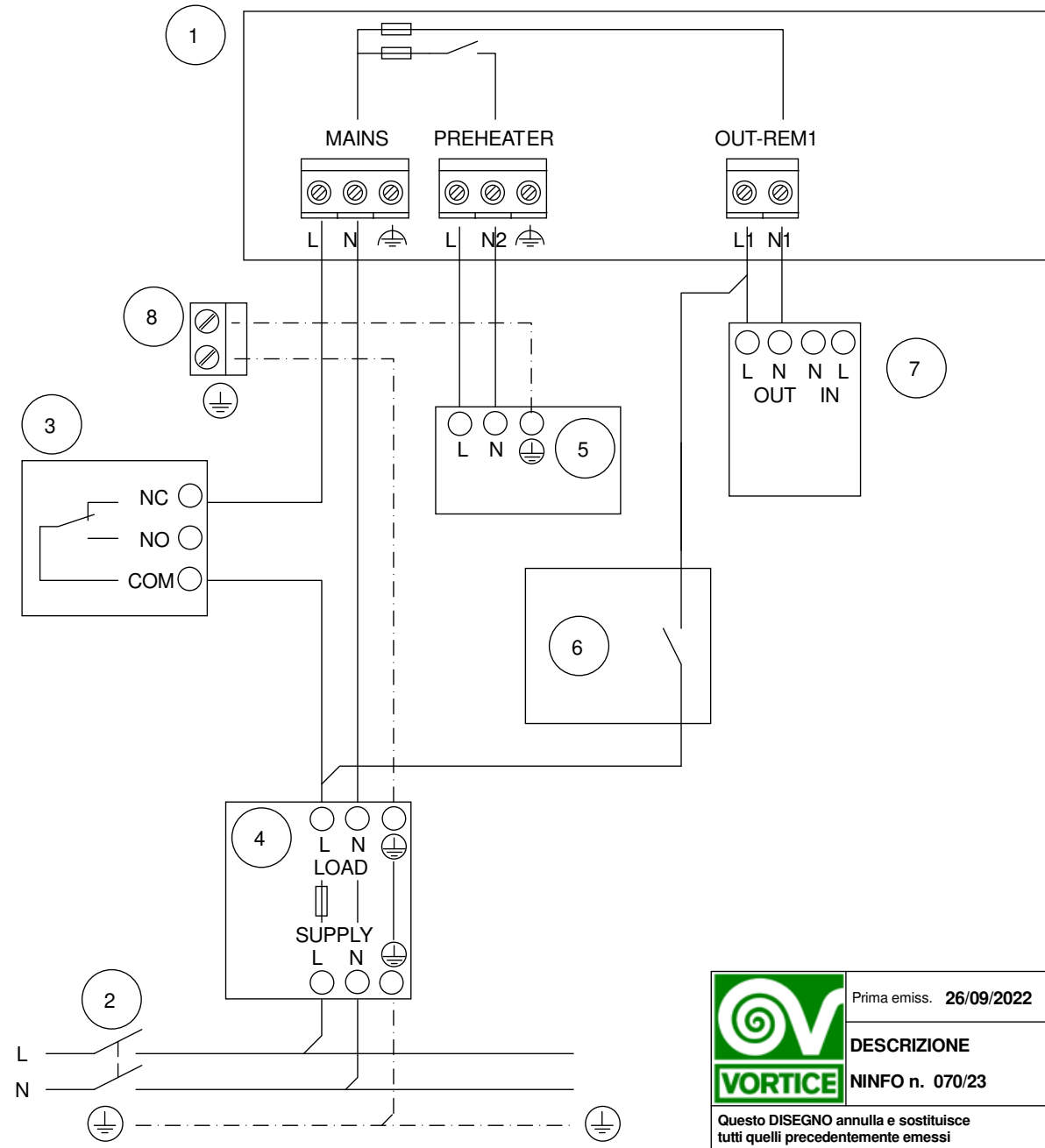



This drawing is property of VORTICE ELETTROSOCIAL SPA. Without the written permission of VORTICE ELETTROSOCIAL SPA the drawing may not be used to construct the object represented, nor be shown to third parties or otherwise reproduced. VORTICE ELETTROSOCIAL S.p.A. will protect exclusivity rights under the law.

MAINS
220-240V
~50/60Hz



- 1 PIV unit
- 2 Main bipolar switch
- 3 SMOKE / CO detector with NO/NC contact (for reference only)
- 4 FUSE box
- 5 Preheater
- 6 External sensors C Temp, C Smoke, C HCS (for reference only)
- 7 RF internal module
- 8 PE protection earth terminal

	Prima emiss. 26/09/2022	Emiss. attuale 06/02/2023	Dis. RS/UT
	DESCRIZIONE VORT PIV QUADRO RF / WALL RF		
Questo DISEGNO annulla e sostituisce tutti quelli precedentemente emessi		DISEGNO n.	E960600D
		CODICE n.	9.993.000.600